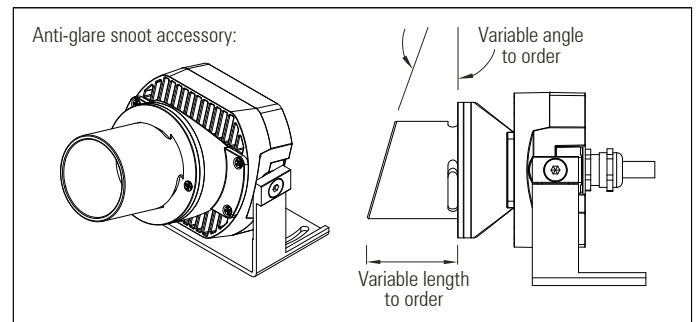
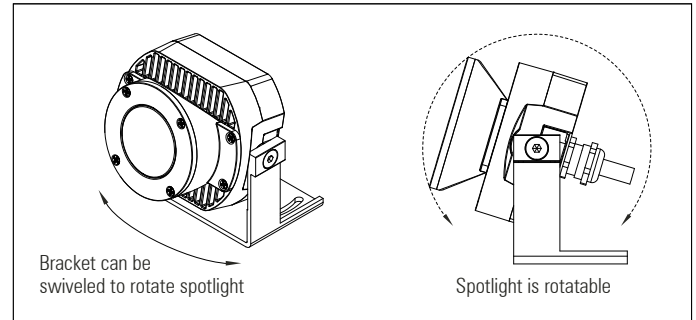
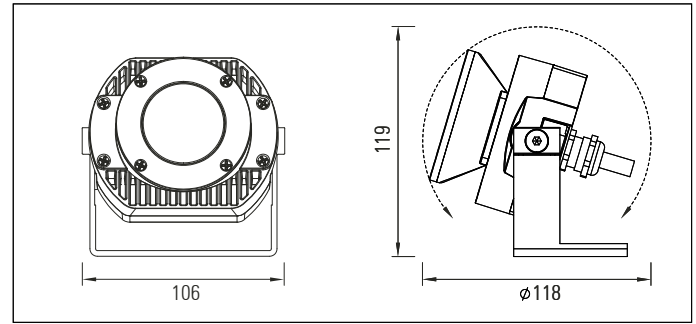


## D100 IP65 Spotlight

Exterior LED spotlight range

Die-cast body version



### D100 IP65 Spotlight

Exterior LED spotlight range with integral LV DC to DC driver or remote AC to DC driver

#### Product description:

The D100 IP65 spotlight range has been developed for use in architectural, landscape and garden lighting applications where powerful, highly controlled lighting effects are required

Each spotlight comprises 4 x Luxeon Z or CZ white-light or RGBW LEDs with a highly efficient colour-blending Gaggione lens, or a single colour-temperature white-light Citizen or Bridgelux LED COB with a Ledil Mirella reflector

A range of Gaggione lenses are available including a 3° ultra-narrow-beam lens

Up to 10 Watts per Spotlight

A wide range of LED colour temperature and CRI options are available

Rotatable in two axes using the adjustable angle brackets. Other mounting brackets are also available including custom designs

Both integral LV DC to DC driver and remote AC to DC driver versions are available - internal driver boards are potted in silicone resin

A wide variety of anti glare, beam control and colour filter accessories are available, including customisable anti-glare snoots which provide excellent visual comfort

Various dimming options available: 1 - 10, DALI, DMX. Separate dimming channel

Satin black, satin white or any RAL colour finish. Die-cast aluminium body

Up to 800 Lumens per spotlight

| Product Code                            | IP | LED Type                           | Colour Temp. (K)   | CRI      | Cover         | Optics (°)   | Fixing Type                                 | Finish                         | Anti-glare accessory   |
|---|----|------------------------------------|--|----------|---------------|--|---|--------------------------------|--|
| D100 IP65<br>CAST<br>REMOTE<br>DRIVER   | 65 | Luxeon:<br>Z LEDs<br>CZ LEDs       | 27=2,700k<br>30=3,000k<br>35=3,500k<br>40=4,000k<br>45=4,500k<br>50=5,000k | 80<br>90 | Clear<br>Opal | Citizen COB with<br>Ledil reflector:<br>15°, 30°, 40°, 80°                             | Adjustable -<br>angle bracket<br><br>Custom | Black                          | Snoot:   |
| D100 IP65<br>CAST<br>INTEGRAL<br>DRIVER |    | Citizen or<br>Bridgelux<br>LED COB | RGB<br>RGBW<br>RGBA<br>Dynamic white                                       | 95       |               | Luxeon Z LEDs with<br>Gaggione lens:<br>3°, 5°, 10°, 17°, 5x20°<br><br>(Guide figures) |   | White<br><br>Any RAL<br>colour | Height: 20mm to 150mm<br>(increments of 5mm)<br><br>Cut-angle: 0° to 75°<br>(increments of 5°)<br><br>Honeycomb louvre |